



The EVS 134 is a bar code reader that has been specially developed for mounting on fork lift trucks where long distance reading is required. The compact read head simplifies mounting in confined spaces.

The reader will read all common bar codes. It is based on solid state CCD-technology that can withstand the tough industrial environments of fork lift truck applications including the shock and vibration loading.

The EVS 134 read head is completely solid state and does not contain any moving parts that may wear. It can withstand heat, cold, dust and water.

The CCD technology used in the EVS 134 provides extremely good reading capabilities. It can cope with badly printed or damaged codes as well as ink jet printed codes on porous surfaces.

The reader can be connected to a mobile terminal for on-line radio communication with the data network.

- Long reading distance
- Large depth of sharpness range
- Reads through sheeting
- Reads punched metal barcodes
- Reads barcodes of low printing quality

Operating data

Code types	2/5, Interleaved 2/5, Code 39, Code 128, EAN 8, EAN 13, EAN 128, UPC-A, UPC-E
Choice of code	Auto-discrimination between max. 4 same or different code types out of a maximum of 10 codes in line.
Standard set-up	Object lens: 100 mm Nominal reading range: 4 m
Reading range at standard set-up	2 ... 6 m, for x-dim > 2 mm
Contrast, dimension tolerance	According to code printing standard
Special codes	
Inverse code	A code made up of light bars and dark spaces is permitted. Also backlit punched metal codes.
Shadow code	Punched codes in front of an even background with diagonal illumination.
Damaged code	Reconstruction of partially damaged or covered codes of type CODE 128 C

IDENDEC SOLUTIONS

IDENDEC SOLUTIONS is a leading global supplier of innovative RFID systems (Radio Frequency Identification) with communication ranges of up to 100 metres.

With its unique Intelligent Long Range® (ILR®) technology, IDENDEC SOLUTIONS offers innovative and economical solutions for automated data gathering, identification, tracking, and localization of objects.

The OIS product range offers automatic identification systems of different technologies, suitable for operation in the rough environment as in industry and logistics while providing high reliability. OIS transponders are equipped with up to 32 kBytes of memory and can withstand up to 235 °C.

To learn more about how ILR and OIS technology can increase the efficiency of your business, contact IDENDEC SOLUTIONS or visit our website at www.identecsolutions.com.

In Austria:
+43 5577 87387-0, or
sales@identecsolutions.at

In Germany:
+49 6201 9957-0, or
info@identecsolutions.de

In North America:
1-866-402-4211 (toll free), or
sales@identecsolutions.com

Information in this document is subject to change without notice and becomes contractual only after written confirmation by IDENDEC SOLUTIONS.

"IDENDEC SOLUTIONS", "Intelligent Long Range", "ILR" and "variSys" are trademarks or registered trademarks of IDENDEC SOLUTIONS, Inc. and/or IDENDEC SOLUTIONS AG.

WARNING:
Changes or modifications not expressly approved by manufacturer could void the user's authority to operate the equipment.

Copyright © 2007 by IDENDEC SOLUTIONS.
All rights reserved.
Contents subject to change without notice.
Reg-No.: BD.0206.EN – Issue 08 – December 2007

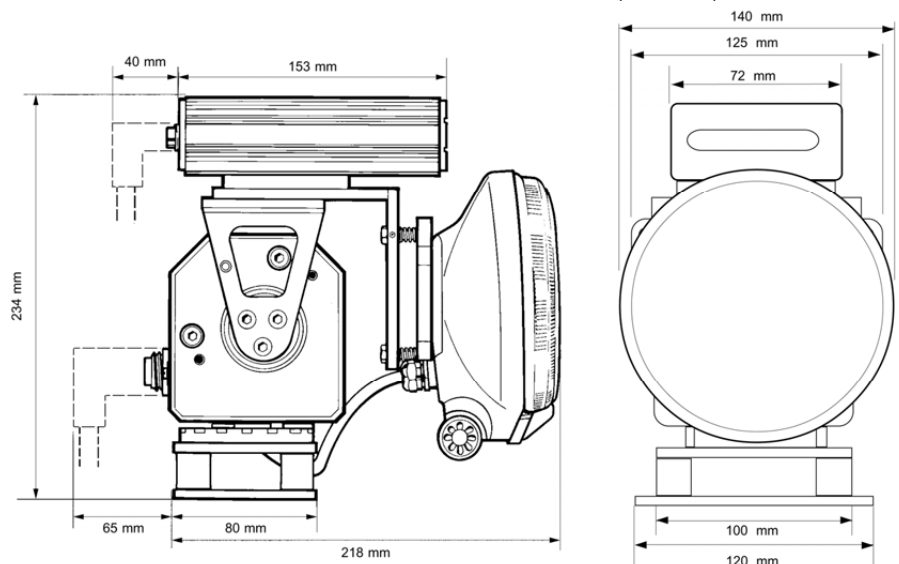
Technical Data

Electrical data

Supply voltage	9 ... 16 VDC
Power consumption	16 W + 100 W for illumination
Digital inputs	12 and 24 V AC or DC, 15 mA, opto-isolated
Digital outputs	12 and 24 V DC, 60 mA resistive load, opto-isolated
Host interface	Opto-isolated RS 232C, RS 485 and 20 mA current loop. Event controlled or polled protocol. 3964(R), Comli-Master, Comli-Slave, Intermec, programmable message format. RS232C
Terminal interface	

Mechanical data

Mass	Read head incl. pan/tilt-unit and illumination: 3.5 kg Central unit: 4 kg
Dimensions	Read head incl. pan/tilt-unit and illumination: 260 × 150 × 220 mm (l × w × h), incl. connectors Central unit: 270 × 365 × 85 mm (l × w × h), incl. Connectors



Environmental conditions

Temperature range	Read head: -30 ... +40 °C (operation) Decoder unit: 0 ... +40 °C (operation)
Protection class	Read head: IP65 Decoder unit: IP40
Humidity	5 ... 90 % RH. non-condensing
Vibration (survival)	±0.35 mm, 10 – 60 Hz; 5 g, 60 – 400 Hz, ±3 axes, 40 min/axis, As per IEC 68-2-6, Test Fc
Shock (survival)	30 g, 8 ms, ±3 axes, As per IEC 68-2-27, Test Ea.
EMC	Cable borne interference: As per IEC 801-4, level 2 Electrostatic discharges: As per IEC 801-2, 15 kV RF interference: As per IEC 801-3, 10 V/m

The OIS-BC system complies to the R & TTE-Guideline 99/5/EC*

All values are specified at 20 °C, unless otherwise noted.

* R & TTE — Radio and telecommunications terminal equipment

www.identecsolutions.com

Europe:

Austria: IDENDEC SOLUTIONS AG, Millennium Park 2, 6890 Lustenau, Tel: +43 (0)5577 87387-0 Fax: +43 (0)5577 87387-15

Germany: IDENDEC SOLUTIONS Deutschland GmbH, Hertzstr. 10, 69469 Weinheim, Tel.: +49 (0)6201 9957-0 Fax: +49 (0)6201 9957-99

North America:

USA: IDENDEC SOLUTIONS INC., Liberty Plaza II, 5057 Keller Springs Rd. Suite 375, Addison, Texas 75001 Tel: +1(972) 535 4144 Fax: +1(469) 424 0404