

# OIS-P Tag

## PC3404/L8A-20DEZ



The read/write data tag PC3404/L8A-20DEZ is part of the OIS-P PC3000 series. It is designed and built for standard temperature ranges, requiring fast data transfer of changeable ID numbers.

The data tag is mechanically and electrically compatible to the PC3001/21A.

The rugged design and excellent climatic resistance allows indoor as well as outdoor, stationary or mobile installation. Its compact design facilitates the use of one single data tag type throughout the entire main line.

- 20 Decimal Digits Memory
- Usable as replacement for PC3001/21A
- Rugged Design for Rough Environment
- To be used with CPU3 or PC3040/20DEZ
- Long Battery Lifetime: > 5 Years

### About the OIS-P Auto-ID System in General

#### Communication Range

Using appropriate antennas this data tag provides a communication range of up to 10 m, as well as an excellent reading and writing capability with fast moving objects.

#### Long Battery Lifetime

The OIS-P technology maximizes the battery lifetime. The data tag is of a semi-active type, normally held in a passive state. Battery lifetime typically exceeds 5 years.

#### Data Tags for Every Use

A variety of data tags are available for various applications with memory sizes of up to 32 Kbytes. They differ in read/write range, memory sizes and housing designs.

#### Fast Data Transfer Rate Unlimited Memory Life

The RAM memory design allows an unlimited number of read-write cycles while enabling high data transmission rates. This also gives the opportunity for identification of fast moving objects. The user data is backed up by a lithium battery.

#### Connection Guaranteed

The central units and compact communicators are off-the-shelf available with several interfaces like Profibus and Ethernet. Other interfaces are available on request.

#### Heat-Resistant Data Tags

Heat-resistant data tags are applicable for temperatures up to 235 °C cyclic.

## IDENDEC SOLUTIONS

IDENDEC SOLUTIONS is the global leader in active wireless tracking solutions. A commitment to developing ground-breaking, industry-specific tracking solutions featuring proprietary patented technology has placed IDENDEC SOLUTIONS in the international forefront as a technology provider for innovation and as a complete solution provider in the automotive, oil, gas and mining industries.

Utilized by the world's leading organizations and system integrators, IDENDEC SOLUTIONS' award-winning technology portfolio offers robust, highly effective tracking solutions that manage critical process and optimize supply chain flow. Privately held since 1999, IDENDEC SOLUTIONS has provided asset management solutions and support to a variety of organizations, including an impressive roster of Fortune 500 clients such as Volkswagen, Audi, Deutsche Post and General Electric. Headquartered in Lustenau, Austria, the company's North American headquarters are located in Dallas, Texas, with customer service centers in Hong Kong, Germany, Australia and Norway. For more information, please visit: [www.idendec.com](http://www.idendec.com).

Information in this document is subject to change without notice and becomes contractual only after written confirmation by IDENDEC SOLUTIONS.

"IDENDEC SOLUTIONS", "Intelligent Long Range", "ILR", "I-LINKS", "I-Q", "I-D", "I-B", "I-CARD", "I-PORT", "Solutions. It's in our name.", "Smarten up your assets." and the stylized "I" are trademarks or registered trademarks of IDENDEC SOLUTIONS, Inc. and/or IDENDEC SOLUTIONS AG.

Copyright © 2007 by IDENDEC SOLUTIONS. All rights reserved.

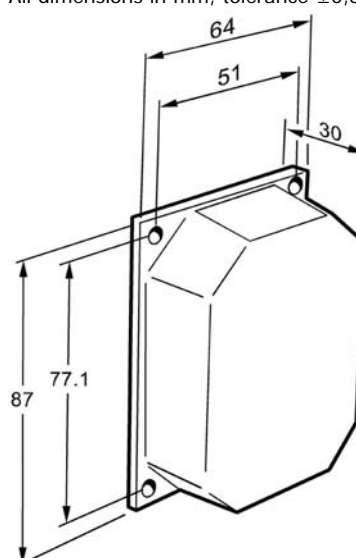
## Technical Data

### Operating Data

Data rate	3.2 kbits/s read from data tag, 6.2 kbits/s write to data tag
Wake-up Time	max 4 ms
Memory	20 Decimal Digits
RAM memory life	unlimited number of read/write cycles
Order Code	160 766

### Mechanical Data

Weight	125 g
Casing	PBT, white
Mounting proposal	4 screws M4
Dimensioned drawing	All dimensions in mm, tolerance $\pm 0,5$ mm



### Environmental Conditions

Temperature range	-40 °C to +70 °C (storage and operation)
Protection class	IP 68, Ref: IEC 529
Vibration (operating)	Sine: $\pm 0,35$ mm, 10 – 60 Hz; 5 g, 60 – 500 Hz in $\pm 3$ axes, 40 min/axis, Ref: IEC 68-2-6-Test Fc Random: 0,02 g <sup>2</sup> /Hz, 10 – 2000 Hz; in 3 axes, 3 hours/axis Ref: IEC 68-2-64 Test Fdb
Bump (survival)	10 g, 6 ms half sine in $\pm 3$ axes $\times$ 4000, Ref: IEC 68-2-29 Test Eb
Shock (survival)	50 g, 6 ms half sine in $\pm 3$ axes $\times$ 10, Ref: IEC 68-2-27 Test Ea
Drop	1000 mm free fall, 10 times onto concrete floor, Ref.: IEC 68-2-32 Test Ed
CE conformity	OIS-P complies to the R & TTE guideline 99/5/EC (R & TTE: Radio and telecommunications terminal equipment) EMC: EU Guideline 89/336 EWG ESD: EN 61000-4-2 RF Immunity: EN 61000-4-3

All values are specified at 20 °C, unless otherwise noted.

[www.idendec.com](http://www.idendec.com)

IDENDEC SOLUTIONS AG  
Millennium Park 2  
6890 Lustenau  
Austria  
Tel. +43 5577 87387 0  
Fax +49 5577 87387 15  
info@idendec.com

IDENDEC SOLUTIONS  
Deutschland GmbH  
Hertzstrasse 10  
69469 Weinheim  
Germany  
Tel.: +49 (0)6201 9957-0  
Fax: +49 (0)6201 9957-99

IDENDEC SOLUTIONS, Inc.  
Liberty Plaza II, Suite 375  
5057 Keller Springs Rd,  
Addison, Texas 75001  
USA  
Tel: (972) 535 4144  
Fax: (469) 424-0404

IDENDEC SOLUTIONS  
Asia Limited  
12/F, Unit 1202, ING Tower  
308-320, Des Voeux Road C.  
Hong Kong  
Tel. (852) 28051816  
Fax (852) 28051814

IDENDEC SOLUTIONS AS  
Skarpenland  
4715 ØVREBØ  
Norway  
Tel. +47 38 13 91 53  
Fax +47 38 13 96 91

IDENDEC SOLUTIONS  
Australia Pty Ltd  
Suite 4/125  
Terralong Street, Kiama  
NSW 2533  
Australia  
Tel.: +61 2 4232 4999  
Fax: +61 2 4232 4888