

# OIS-P

## Data Tag PC3004/Dez



The read/write data tag PC3004/Dez is part of the OIS-P PC3000 series. It is designed and built for standard temperature ranges, requiring fast data transfer of changeable ID numbers.

The data tag is mechanically and electrically compatible to the PC3001/21A. Its small size facilitates the use throughout the entire production line.

The rugged design and excellent climatic resistance allows indoor as well as outdoor, stationary or mobile installation. Its compact design facilitates the use of one single data tag type throughout the entire main line.

The PC3004/Dez can operate together with a wide range of OIS-P communicators in the PC3000, PC3100 and PC3300 series to meet most application requirements.

- 20 Decimal Digits Memory
- Usable as replacement for PC3001/21A
- To be used with CPU3

### About the OIS-P Auto-ID System in General

#### Communication Range

Using appropriate antennas this data tag provides a communication range of up to 10 m, as well as an excellent reading and writing capability with fast moving objects.

#### Long Battery Lifetime

The OIS-P technology maximizes the battery lifetime. The data tag is of a semi-active type, normally held in a passive state. Battery lifetime typically exceeds 5 years.

#### Data Tags for Every Use

A variety of data tags are available for various applications with memory sizes of up to 32 Kbytes. They differ in read/write range, memory sizes and housing designs.

#### Fast Data Transfer Rate Unlimited Memory Life

The RAM memory design allows an unlimited number of read-write cycles while enabling high data transmission rates. This also gives the opportunity for identification of fast moving objects. The user data is backed up by a lithium battery.

#### Connection Guaranteed

The central units and compact communicators are off-the-shelf available with several interfaces like Profibus and Ethernet. Other interfaces are available on request.

#### Heat-Resistant Data Tags

Heat-resistant data tags are applicable for temperatures up to 235 °C cyclic.

## IDENDEC SOLUTIONS

IDENDEC SOLUTIONS is a leading global supplier of innovative RFID systems (Radio Frequency Identification) with communication ranges of up to 100 m. With its unique Intelligent Long Range® (ILR®) technology, IDENDEC SOLUTIONS offers innovative and economical solutions for automated data gathering, identification, tracking and localization of objects.

ILR® technology makes it possible to ensure that

- the right goods,
- in the right amounts,
- in the right condition,
- with the right information
- are located at the right place
- at the right time,

leading to increased efficiency and quality improvements in Production, Logistics and Supply Chain Management.

To learn more about how ILR® technology can increase efficiency of your business, contact IDENDEC SOLUTIONS or visit our website at [www.identecsolutions.com](http://www.identecsolutions.com).

In Europe:

+43 5577 87387-0, or  
[sales@identecsolutions.at](mailto:sales@identecsolutions.at)

In North America:

1-877-IDENDEC (toll free), or  
[sales@identecsolutions.com](mailto:sales@identecsolutions.com)

Information in this document is subject to change without notice and becomes contractual only after written confirmation by IDENDEC SOLUTIONS.

"IDENDEC SOLUTIONS", "Intelligent Long Range", "ILR", "i-LINKS", "i-Q", "i-D", "i-B", "i-CARD", "i-PORT", "Solutions. It's in our name.", "Smarten up your assets." and the stylized "i" are trademarks or registered trademarks of IDENDEC SOLUTIONS, Inc. and/or IDENDEC SOLUTIONS AG.

Copyright © 2007 by IDENDEC SOLUTIONS.

All rights reserved.

Contents subject to change without notice.

**WARNING:**

Changes or modifications not expressly approved by manufacturer could void the user's authority to operate the equipment.

Copyright © 2005 by IDENDEC SOLUTIONS.

All rights reserved.

Reg-No. B1107-200 — Issue 01 — January 2007

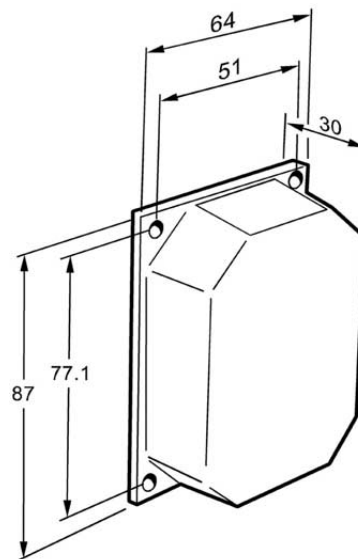
## Technical Data

### Operating Data

Wake-up Time	max 4 ms
Memory	20 Decimal Digits
RAM memory life	unlimited number of read/write cycles
Order Code	146 872

### Mechanical Data

Weight	125 g
Casing	PBT, white
Mounting proposal	4 screws M4
Dimensioned drawing	All dimensions in mm, tolerance $\pm 0,5$ mm



### Environmental Conditions

Temperature range	-40 °C to +70 °C (storage and operation)
Protection class	IP 68, Ref: IEC 529
Vibration (operating)	Sine: $\pm 0,35$ mm, 10 – 60 Hz; 5 g, 60 – 500 Hz in $\pm 3$ axes, 40 min/axis, Ref: IEC 68-2-6-Test Fc Random: 0,02 g <sup>2</sup> /Hz, 10 – 2000 Hz; in 3 axes, 3 hours/axis Ref: IEC 68-2-64 Test Fdb
Bump (survival)	10 g, 6 ms half sine in $\pm 3$ axes $\times$ 4000, Ref: IEC 68-2-29 Test Eb
Shock (survival)	50 g, 6 ms half sine in $\pm 3$ axes $\times$ 10, Ref: IEC 68-2-27 Test Ea
Drop	1000 mm free fall, 10 times onto concrete floor, Ref.: IEC 68-2-32 Test Ed
CE conformity	OIS-P complies to the R & TTE guideline 99/5/EC (R & TTE: Radio and telecommunications terminal equipment) EMC: EU Guideline 89/336 EWG ESD: EN 61000-4-2 RF Immunity: EN 61000-4-3

All values are specified at 20 °C, unless otherwise noted.

[www.identecsolutions.com](http://www.identecsolutions.com)

Europe:

**Austria:** IDENDEC SOLUTIONS AG, Millennium Park 2, 6890 Lustenau / AUSTRIA Tel: +43 (0)5577 87387-0 Fax: +43 (0)5577 87387-15

**Germany:** IDENDEC SOLUTIONS Deutschland GmbH, Hertzstr. 10, 69469 Weinheim / GERMANY Tel.: +49 (0)6201 9957-0 Fax: +49 (0)6201 9957-99

North America:

**USA:** IDENDEC SOLUTIONS INC., Liberty Plaza II, 5057 Keller Springs Rd. Suite 375, Addison, Texas 75001 Tel: +1(972) 535 4144 Fax: +1(469) 424 0404