



The read and write data tag PC3101/M32A is a part of the OIS-P PC3100 series. It is designed and built for applications at room temperature requiring dynamic storage of user data, fast data transfer and high reliability.

The compact design, made according to IP40, offers installation flexibility in the final assembly of the automotive industry or logistics applications in supply lines.

The PC3101/M32A can operate together with a wide range of OIS-P communicators in the PC3000, PC3100 and PC3300 series to meet most application requirements.

- 32 kBytes read/write Data Tag
- Rugged Design for Rough Environment
- Operates with Every OIS-P Communicator
- Long Battery Lifetime: > 5 Years

### About the OIS-P Auto-ID System in General

#### Communication Range

Using appropriate antennas this data tag provides a communication range of up to 10 m, as well as an excellent reading and writing capability with fast moving objects.

#### Long Battery Lifetime

The OIS-P technology maximizes the battery lifetime. The data tag is of a semi-active type, normally held in a passive state. Battery lifetime typically exceeds 5 years.

#### Data Tags for Every Use

A variety of data tags are available for various applications with memory sizes of up to 32 Kbytes. They differ in read/write range, memory sizes and housing designs.

#### Fast Data Transfer Rate Unlimited Memory Life

The RAM memory design allows an unlimited number of read-write cycles while enabling high data transmission rates. This also gives the opportunity for identification of fast moving objects. The user data is backed up by a lithium battery.

#### Connection Guaranteed

The central units and compact communicators are off-the-shelf available with several interfaces like Profibus and Ethernet. Other interfaces are available on request.

#### Heat-Resistant Data Tags

Heat-resistant data tags are applicable for temperatures up to 235 °C cyclic.

## IDENDEC SOLUTIONS

IDENDEC SOLUTIONS is a leading global supplier of innovative RFID systems (Radio Frequency Identification) with communication ranges of up to 100 m. With its unique Intelligent Long Range® (ILR®) technology, IDENDEC SOLUTIONS offers innovative and economical solutions for automated data gathering, identification, tracking and localization of objects.

ILR® technology makes it possible to ensure that

- the right goods,
- in the right amounts,
- in the right condition,
- with the right information
- are located at the right place
- at the right time,

leading to increased efficiency and quality improvements in Production, Logistics and Supply Chain Management.

To learn more about how ILR® technology can increase efficiency of your business, contact IDENDEC SOLUTIONS or visit our website at [www.identecsolutions.com](http://www.identecsolutions.com).

In Europe:  
+43 5577 87387-0, or  
[sales@identecsolutions.at](mailto:sales@identecsolutions.at)

In North America:  
1-877-IDENDEC (toll free), or  
[sales@identecsolutions.com](mailto:sales@identecsolutions.com)

Information in this document is subject to change without notice and becomes contractual only after written confirmation by IDENDEC SOLUTIONS. "IDENDEC SOLUTIONS", "Intelligent Long Range", "ILR", "i-LINKS", "i-Q", "i-D", "i-B", "i-CARD", "i-PORT", "Solutions. It's in our name.", "Smarten up your assets." and the stylized "i" are trademarks or registered trademarks of IDENDEC SOLUTIONS, Inc. and/or IDENDEC SOLUTIONS AG. Copyright © 2007 by IDENDEC SOLUTIONS. All rights reserved. Contents subject to change without notice. **WARNING:** Changes or modifications not expressly approved by manufacturer could void the user's authority to operate the equipment.

Copyright © 2005 by IDENDEC SOLUTIONS. All rights reserved. Reg-No. B1161-200 — Issue 06 — February 2007

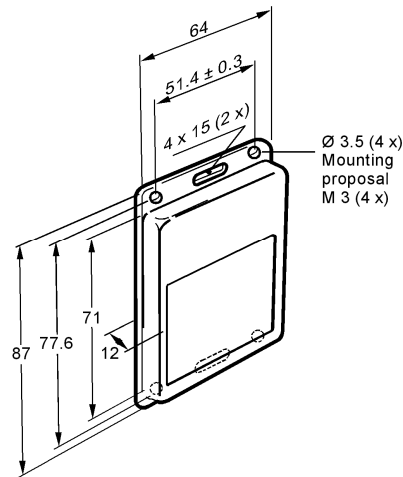
## Technical Data

### Operating Data

Data rate	66 kbits/s read from data tag, 42 kbits/s write to data tag
Wake-up Time	max. 2 ms
Memory	32 kBytes RAM, depending on formatting max. 226 files
RAM memory life	unlimited number of read/write cycles
Battery life	typically more than 5 years
Order Code	156 160

### Mechanical Data

Weight	60 g
Casing	PPO, light grey
Mounting proposal	4 screws M3 with washer, fasten with a tightening torque of 0.7 Nm max.
Dimensioned drawing	All dimensions in mm, tolerance $\pm 0,5$ mm



### Environmental Conditions

Temperature range	+5 °C to +55 °C (operating) -30 °C to +70 °C (storage)
Protection class	IP40, Ref: IEC 529
Vibration (operating)	Random: 0,02 g <sup>2</sup> /Hz, 10 – 2000 Hz; in 3 hrs. in $\pm 3$ axes Ref: IEC 68-2-64 Test Fdb
Bump (survival)	10 g, 6 ms half sine in $\pm 3$ axes $\times$ 1'000, Ref: IEC 68-2-29 Test Eb
Shock (survival)	50 g, 6 ms half sine in $\pm 3$ axes $\times$ 10, Ref: IEC 68-2-27 Test Ea
Drop (survival)	1000 mm free fall, 5 times onto concrete floor, Ref.: IEC 68-2-32 Test Ed
CE conformity	OIS-P complies to the R & TTE guideline 99/5/EC (R & TTE: Radio and telecommunications terminal equipment) EMC: EU Guideline 89/336 EWG ESD: EN 61000-4-2 RF Immunity: EN 61000-4-3

All values are specified at 20 °C, unless otherwise noted.

The data tag has to be protected against rain and moisture. Steady temperature cycles must be avoided.

[www.identecsolutions.com](http://www.identecsolutions.com)

Europe:

**Austria:** IDENDEC SOLUTIONS AG, Millennium Park 2, 6890 Lustenau / AUSTRIA Tel: +43 (0)5577 87387-0 Fax: +43 (0)5577 87387-15  
**Germany:** IDENDEC SOLUTIONS Deutschland GmbH, Hertzstr. 10, 69469 Weinheim / GERMANY Tel.: +49 (0)6201 9957-0 Fax: +49 (0)6201 9957-99

North America:

**USA:** IDENDEC SOLUTIONS INC., Liberty Plaza II, 5057 Keller Springs Rd. Suite 375, Addison, Texas 75001 Tel: +1(972) 535 4144 Fax: +1(469) 424 0404