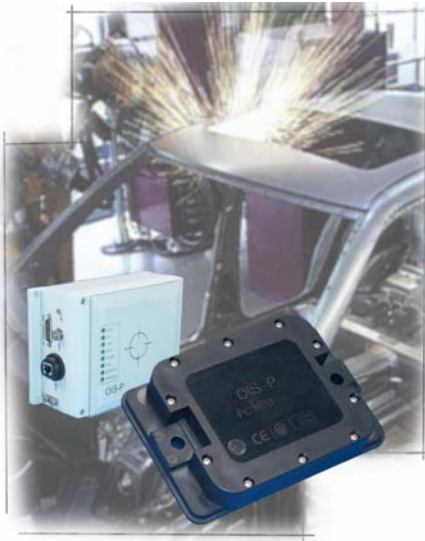


# OIS-P

## Data Tag PC3403/x32A



The 3 types of read and write data tags PC3403/x32A are a part of the OIS-P PC3400 series. It is designed and built for normal temperature applications requiring dynamic storage of small amounts of user data, fast data transfer, high reliability and long life.

The rugged design and excellent climatic resistance allows indoor as well as outdoor, stationary or mobile installation. Its compact design facilitates the use of one single type data tag throughout the entire main line.

The PC3403/x32A can operate together with a wide range of OIS-P communicators in the PC3100, PC3300 and PC3400 series to meet most application requirements.

- 32 kBytes read/write Data Tag
- Rugged Design for Rough Environment
- Operates with Every OIS-P Communicator
- Long Battery Lifetime: > 5 Years

### About the OIS-P Auto-ID System in General

#### Communication Range

Using appropriate antennas this data tag provides a communication range of up to 10 m, as well as an excellent reading and writing capability with fast moving objects.

#### Long Battery Lifetime

The OIS-P technology maximizes the battery lifetime. The data tag is of a semi-active type, normally held in a passive state. Battery lifetime typically exceeds 5 years.

#### Data Tags for Every Use

A variety of data tags are available for various applications with memory sizes of up to 32 Kbytes. They differ in read/write range, memory sizes and housing designs.

#### Fast Data Transfer Rate Unlimited Memory Life

The RAM memory design allows an unlimited number of read-write cycles while enabling high data transmission rates. This also gives the opportunity for identification of fast moving objects. The user data is backed up by a lithium battery.

#### Connection Guaranteed

The central units and compact communicators are off-the-shelf available with several interfaces like Profibus and Ethernet. Other interfaces are available on request.

#### Heat-Resistant Data Tags

Heat-resistant data tags are applicable for temperatures up to 235 °C cyclic.

## IDENDEC SOLUTIONS

IDENDEC SOLUTIONS is a leading global supplier of innovative RFID systems (Radio Frequency Identification) with communication ranges of up to 100 metres.

With its unique Intelligent Long Range® (ILR®) technology, IDENDEC SOLUTIONS offers innovative and economical solutions for automated data gathering, identification, tracking, and localization of objects.

The OIS product range offers automatic identification systems of different technologies, suitable for operation in the rough environment as in industry and logistics while providing high reliability. OIS transponders are equipped with up to 32 kBytes of memory and can withstand up to 235 °C.

To learn more about how ILR and OIS technology can increase the efficiency of your business, contact IDENDEC SOLUTIONS or visit our website at [www.identecsolutions.com](http://www.identecsolutions.com).

In Austria:  
+43 5577 87387-0, or  
[sales@identecsolutions.at](mailto:sales@identecsolutions.at)

In Germany:  
+49 6201 9957-0, or  
[info@identecsolutions.de](mailto:info@identecsolutions.de)

In North America:  
1-866-402-4211 (toll free), or  
[sales@identecsolutions.com](mailto:sales@identecsolutions.com)

Information in this document is subject to change without notice and becomes contractual only after written confirmation by IDENDEC SOLUTIONS. "IDENDEC SOLUTIONS", "Intelligent Long Range", "ILR", "i-LINKS", "i-Q", "i-D", "i-B", "i-CARD", "i-PORT", "Solutions. It's in our name.", "Smarten up your assets." and the stylized "i" are trademarks or registered trademarks of IDENDEC SOLUTIONS, Inc. and/or IDENDEC SOLUTIONS AG.

**WARNING:**  
Changes or modifications not expressly approved by manufacturer could void the user's authority to operate the equipment.

Copyright © 2007 by IDENDEC SOLUTIONS.  
All rights reserved.  
Reg-No. B1178-200 — Issue 01 — March 2008

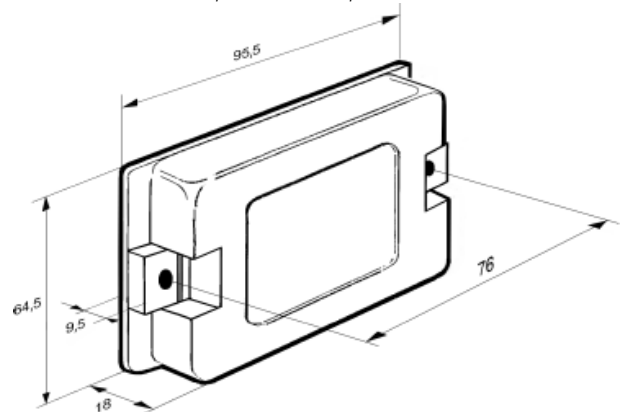
## Technical Data

### Operating Data

|                       |  |
|-----------------------|--|
| Data rate PC3404/L32A | 75 bits/s read from data tag, 47 bits/s write to data tag, low speed, order code: 163 570      |
| Data rate PC3404/M32A | 66 kbits/s read from data tag, 42 kbits/s write to data tag, medium speed, order code: 161 549 |
| Data rate PC3404/H32A | 267 kbits/s read from data tag, 166 kbits/s write to data tag, high speed, order code: 161 550 |
| Memory                | 32 kBytes RAM, depending on formatting max. 226 files  |
| RAM memory life       | unlimited number of read/write cycles  |

### Mechanical Data

|                     |   |
|---------------------|---|
| Weight              | 120 g                                   |
| Casing              | Polyphenylenesulfide (PPS), black       |
| Mounting proposal   | 2 screws M5                             |
| Dimensioned drawing | All dimensions in mm, tolerance ±0,5 mm |



### Environmental conditions

|                            |  |
|----------------------------|--|
| Temperature range          | -40 to +75 °C (Operating and storage)  |
| Protection class           | IP67, ref: IEC 529   |
| Vibration (operating)      | Random 0,03 g <sup>2</sup> /Hz, 10 – 200 Hz; 0,01 g <sup>2</sup> /Hz, 00 – 2.000 Hz; 3 hours in ±3 axes, ref: EN60721-3-2, IEC60068-2-64 |
| Bump (survival)            | 40 g, 6 ms, halfsine × 4'000 in 3 axes; ref: IEC 68-2-29 Test Eb   |
| Shock (survival)           | 100 g, 6 ms, halfsine × 10 in 3 axes, ref: IEC 60721-3-2   |
| Free fall (survival)       | 1'000 mm × 60 falls, Ref: IEC 68-2-32 Test Ed  |
| Solar radiation (survival) | 1.12 kW/m <sup>2</sup> × 56 days, Ref: IEC 68-2-5, Test Sa class C   |
| CE conformity              | OIS-P complies to the R & TTE guideline 99/5/EC (R & TTE: Radio and telecommunications terminal equipment)                               |
|                            | EMC: EU Guideline 89/336 EWG   |
|                            | ESD: EN 61000-4-2  |
|                            | RF Immunity: EN 61000-4-3  |

All values are specified at 20 °C, unless otherwise noted.

[www.identecsolutions.com](http://www.identecsolutions.com)

Europe:

**Austria:** IDENDEC SOLUTIONS AG, Millennium Park 2, 6890 Lustenau, Tel: +43 (0)5577 87387-0 Fax: +43 (0)5577 87387-15  
**Germany:** IDENDEC SOLUTIONS Deutschland GmbH, Hertzstr. 10, 69469 Weinheim, Tel.: +49 (0)6201 9957-0 Fax: +49 (0)6201 9957-99

North America:

**USA:** IDENDEC SOLUTIONS INC., Liberty Plaza II, 5057 Keller Springs Rd. Suite 375, Addison, Texas 75001 Tel: +1(972) 535 4144 Fax: +1(469) 424 0404